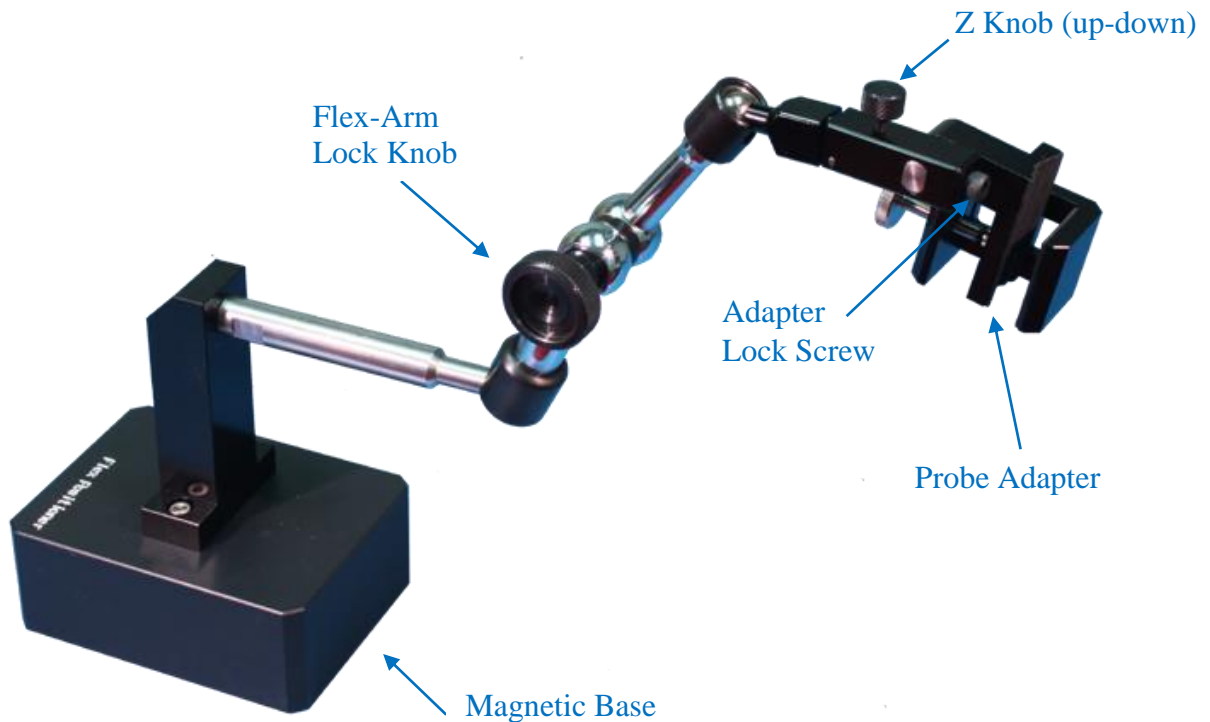


Flex Positioner TP50

A steady helping hand for engineers



Articulated manipulator for scope and network analyzer users

- Flexible long-reach arm controlled by a single thumb knob
- Probe tip contact pressure adjustment
- Various changeable probe adapters hold almost all probe types
- Magnetic rubber base can be used on regular bench or metallic surface
- Suitable for lengthy, unmanned testing and detection of hard-to-find glitches

Changeable Adapters for Different Probe Types and Applications

Various probe adapters hold almost all probe types made by Tektronix, Agilent and LeCroy



TP50-UA12

TP50-LA12

TP50-UA18

Specifications

Articulated arm: 4 links and 3 joints
controlled by a single thumb knob

Arm Length: 220 mm/8.7 in

Width: 76 mm/3.0 in

Height: 90 mm/3.5 in

Base Length: 101 mm/4.0 in

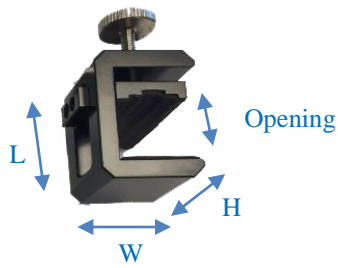
Weight: 2,702 grams/5 lb. 15.4 oz

(base block: 2,333 grams/82 oz)

Base: Rubber base embedded with magnets

Part Numbers: TP50-UA12, TP50-UA16,
TP50-UA18, TP50-LA12, TP50-TA10

Universal Adapters

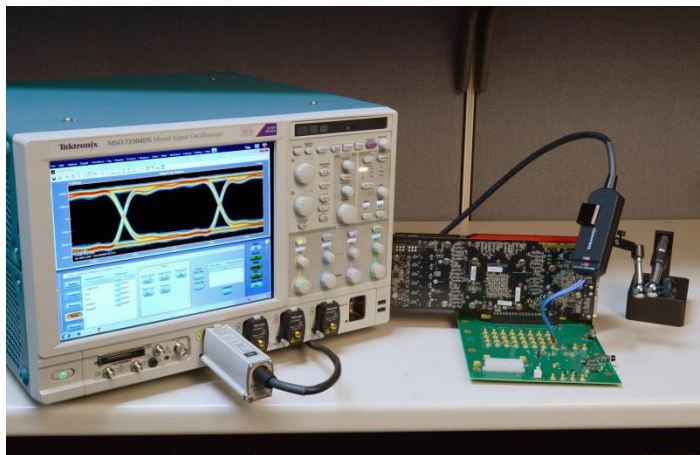


PN#	L	W	H	Opening
UA12	25	18	25	2 to 12
UA16	36	27	25	4 to 16
UA18	36	27	25	7 to 18

Units in mm

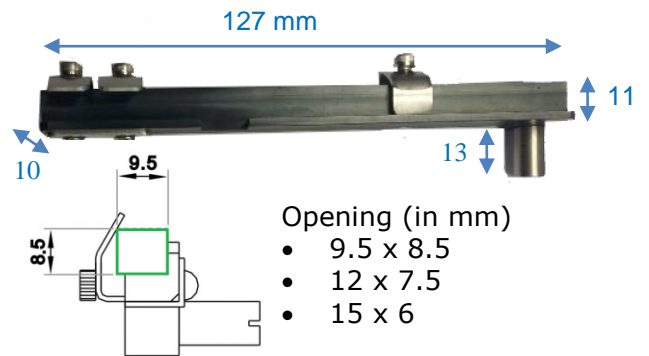


TP50 with HDM1 adapter holding a Dino-Lite microscope



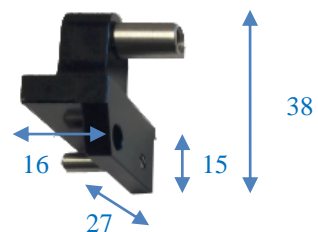
TP50 with UA18 holding a Tektronix P7600 series probe

Long Adapter (PN#: LA12)



TP50 with LA12 holding a Tektronix P6248 differential probe

Custom Adapter (PN#: TA10)



TP50 with TA10 holding a Tektronix P7500 probe